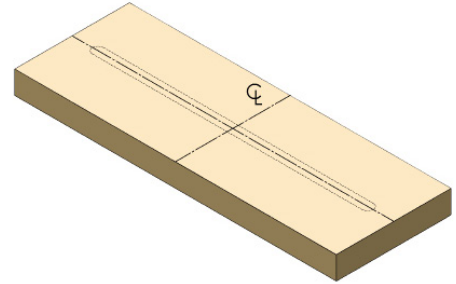


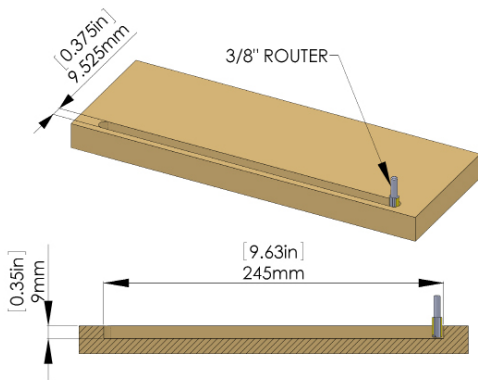
Recessed Mounting

1



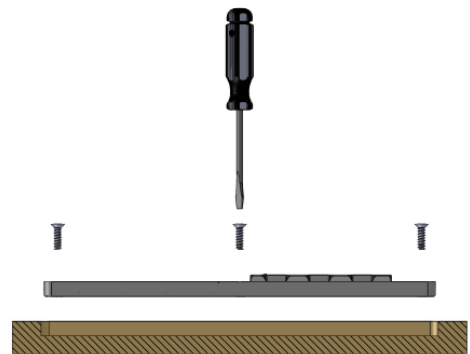
Match up centrelines to both substrates to have a perfect flush finish.

2



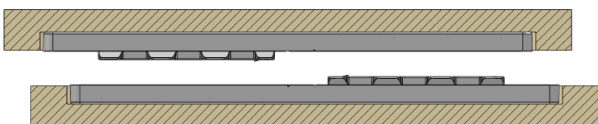
Use a 9.525mm (3/8") router bit to cut a slot in both substrates to correct length. Depth needs to be 9mm.

3



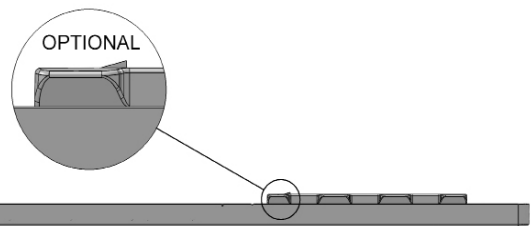
Place the 1st Megalox into slot ensure flush with substrate. Pilot drill screw position, use x 3 8G countersunk screws, Euro screws or simply glue into position using Liquidlox.

4



Place the 2nd Megalox into slot remembering the Megalox needs to be in opposite face position for lock up and repeat fixing method as in No. 3.

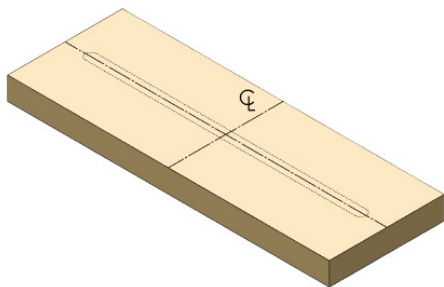
5



Megalox is either permanent or reusable, simply remove locking tab using blade or sander to disassemble.

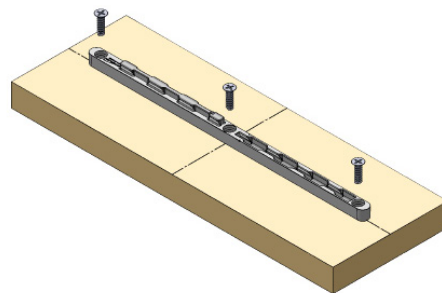
Flush Mounting

1



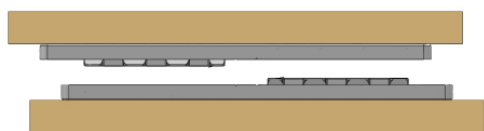
Match up centrelines to both surfaces to have a perfect flush finish.

2



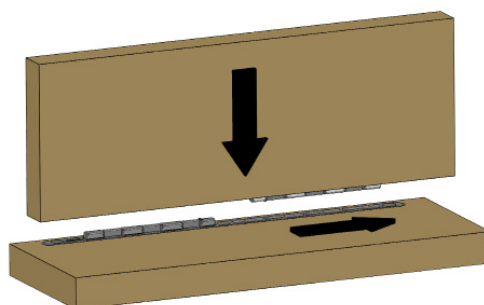
Place Megalox onto surface in position and pilot drill screw position use 3x 8G countersunk screws or Euro screws.

3



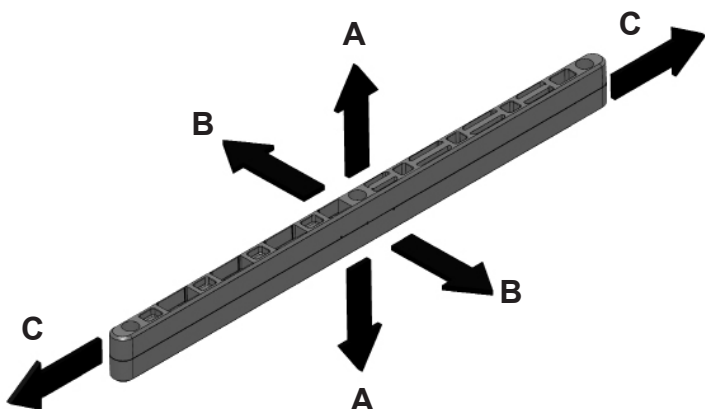
Repeat process to the second surface as in No. 2. Please ensure Megalox are positioned opposite each other.

4



Complete the installation by sliding fully to lock up position. Remember to remove locking tab if applicable.

Load Capacity



Direction

Indic. Load Capacity

A

150 kg/330 lbs

B

295 kg/650 lbs

C

160 kg/352 lbs

- Tested using MDF and fixed with screws.
- Ensure sufficient screw embedment in substrate.

Striplox products are designed and tested for a range of applications. Product use is subject to variable materials and conditions. Technical information and load capacities are a guide only without warranty and Joinlox will not be liable for any subsequent damage or loss from the use of the products or this information.