



## Striplox™ Pro 55

Makes concealed joints easy

The secret to Striplox is the unique award winning design, internationally patented secure fastening system suitable for a wide variety of substrates. Using Striplox designers, installers and manufacturers are able to re-think assembly processes.

*Designed for panels, frames or components this hidden mounting system delivers a flawless finish with perfect alignment every time.*

Striplox Pro 55 makes joining faster and simpler. Strength and durability due to its unique design transferring load capacities evenly over the entire product. Striplox is perfect for many applications/designs and are only limited by your imagination. Striplox Pro 55 is perfect for your panels, frames and cabinetry, and can be removed and refitted time after time.



### Benefits

- No visible fixings
- Eliminates damage – install panels during final build
- Lower transportation cost – flat pack
- Lower labour costs on site assembly
- Designed using the internationally recognised 32 system
- Strength, Durability and Versatility
- No tools or trade skills required for assembly
- Cabinetry or panels can be fitted permanently or removed and re-used with ease
- Striplox Pro 55 can be configured in many different ways to best suit your application, surface mount or rebate mount and orientated for vertical or horizontal assembly
- Variety of mounting options glue and or screw fix

### Applications

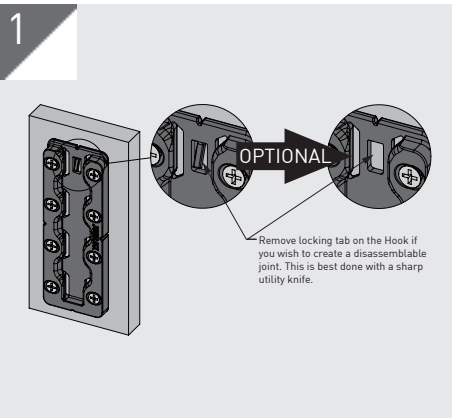
- Ceilings, walls, cabinetry, feature panels
- Commercial wall panelling and office partitioning
- Enhanced performance of acoustic panelling
- Floating shelves
- Furniture construction and interior fitting
- Shop fitting displays and signage
- Exhibition and trade events
- DIY garden shed and Patio
- RV and Marine fitouts



**Order Striplox Today!**

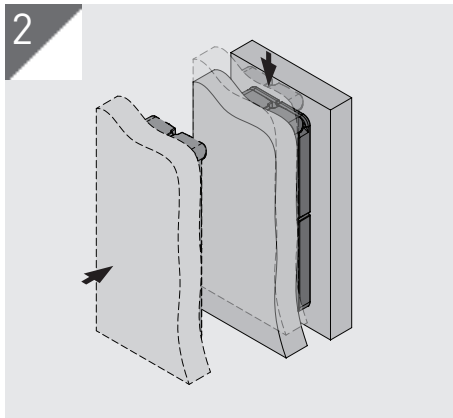
Contact your local distributor to order the Striplox Pro 55 today or email [striplox@joinlox.com](mailto:striplox@joinlox.com)

# How it works



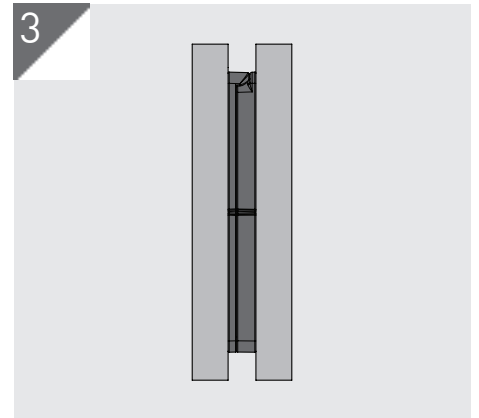
## Installation

Attach both components of the Pro 55 to the desired substrates.  
Remove locking tab if required.



## Assembly

Both components of Pro 55 self align and slide to lock into place. Due to the unique design, the components only need to travel one pitch for full engagement.



## Completion

Complete the installation according to the desired application.

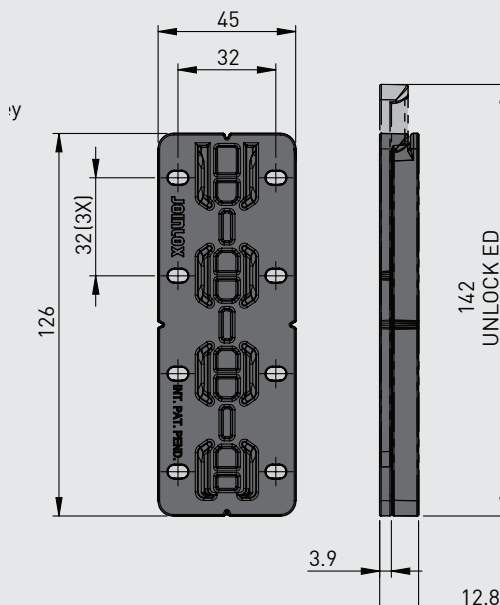
To unlock insert a small screwdriver to release locking tab.

# Specifications

<b>Material:</b> High Strength Reinforced Nylon <b>Colour:</b> Black <b>Fixing:</b> 8G Screws (8x) or Glue *Ensure sufficient screw embedment in substrate. *Tested using Particle Board and fixed with screws.	<b>Direction</b>	<b>Indic. Load Capacity</b>
	A	200kg / 440lb
	B	106kg / 233lb
	C	200kg / 440lb

- Refer to Mounting Data Sheet for full dimensions
- Refer to Installation Guide

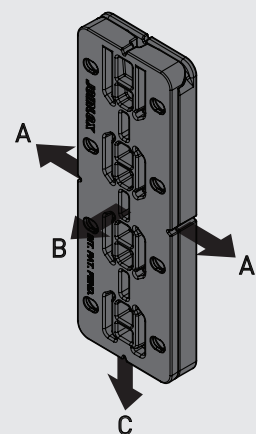
## Dimensions



Visit the Striplox website for more information



## Load Direction



Proudly Australian Designed, Owned and Manufactured

Striplox products are designed and tested for a range of applications. Product use is subject to variable materials and conditions. Technical information and load capacities are a guide only without warranty and Joinlox will not be liable for any subsequent damage or loss from the use of the products or this information.

[joinlox.com/striplox](http://joinlox.com/striplox)