



Striplox™ Pro 55

Makes concealed joints easy

The secret to Striplox is the unique award winning design, internationally patented secure fastening system suitable for a wide variety of substrates. Using Striplox designers, installers and manufacturers are able to re-think assembly processes.

Designed for panels, frames or components this hidden mounting system delivers a flawless finish with perfect alignment every time.

Striplox Pro 55 makes joining faster and simpler. Strength and durability due to its unique design transferring load capacities evenly over the entire product. Striplox is perfect for many applications/designs and are only limited by your imagination. Striplox Pro 55 is perfect for your panels, frames and cabinetry, and can be removed and refitted time after time.



Benefits

- No visible fixings
- Eliminates damage – install panels during final build
- Lower transportation cost – flat pack
- Lower labour costs on site assembly
- Designed using the internationally recognised 32 system
- Strength, Durability and Versatility
- No tools or trade skills required for assembly
- Cabinetry or panels can be fitted permanently or removed and re-used with ease
- Striplox Pro 55 can be configured in many different ways to best suit your application, surface mount or rebate mount and orientated for vertical or horizontal assembly
- Variety of mounting options glue and or screw fix

Applications

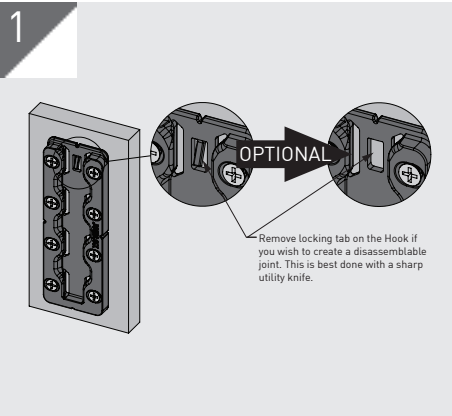
- Ceilings, walls, cabinetry, feature panels
- Commercial wall panelling and office partitioning
- Enhanced performance of acoustic panelling
- Floating shelves
- Furniture construction and interior fitting
- Shop fitting displays and signage
- Exhibition and trade events
- DIY garden shed and Patio
- RV and Marine fitouts



Order Striplox Today!

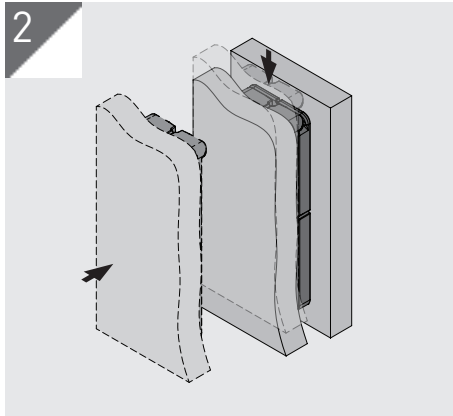
Contact your local distributor to order the Striplox Pro 55 today or email striplox@joinlox.com

How it works



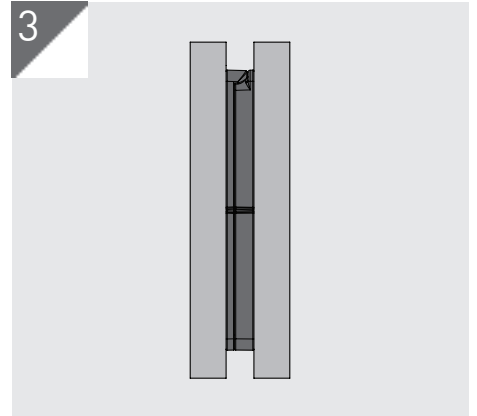
Installation

Attach both components of the Pro 55 to the desired substrates.
Remove locking tab if required.



Assembly

Both components of Pro 55 self align and slide to lock into place. Due to the unique design, the components only need to travel one pitch for full engagement.



Completion

Complete the installation according to the desired application.

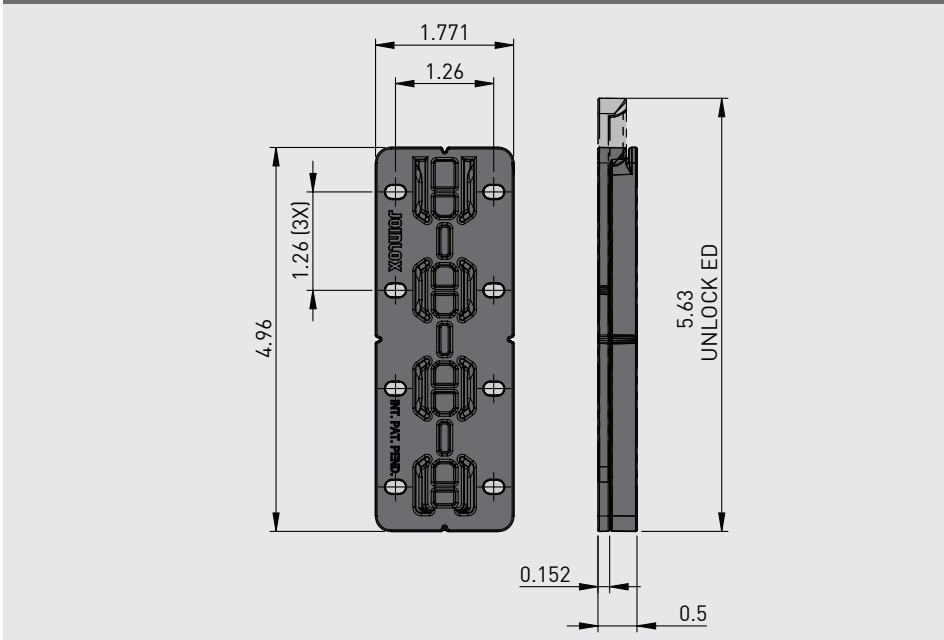
To unlock insert a small screwdriver to release locking tab.

Specifications

Material: High Strength Reinforced Nylon Colour: Black Fixing: 8G Screws (8x) or Glue *Ensure sufficient screw embedment in substrate. *Tested using Particle Board and fixed with screws.	Direction	Indic. Load Capacity
	A	440 lb
	B	233 lb
	C	440 lb

- Refer to Mounting Data Sheet for full dimensions
- Refer to Installation Guide

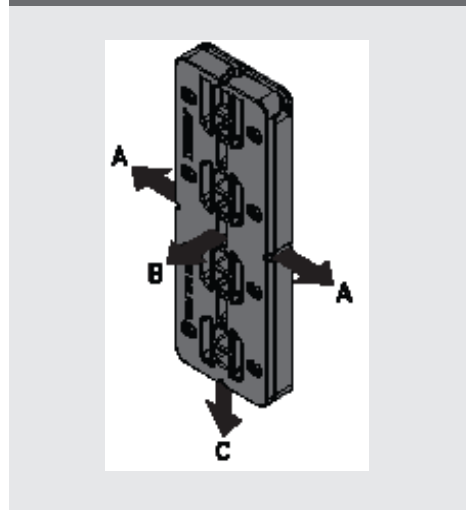
Dimensions



Visit the Striplox website for more information



Load Direction



Proudly Australian Designed, Owned and Manufactured

Striplox products are designed and tested for a range of applications. Product use is subject to variable materials and conditions. Technical information and load capacities are a guide only without warranty and Joinlox will not be liable for any subsequent damage or loss from the use of the products or this information.

joinlox.com/striplox